

### Basic features

<b>Application</b>	Piston diameter: any Pneumatic cylinder with integrated tie rods (profile) Pneumatic cylinder with tie rods
<b>Basic standard</b>	Dimension tolerances: DIN ISO 2768 m
<b>Principle of operation</b>	BMF mounting bracket
<b>Scope of delivery</b>	Fastening part Mounting bracket
<b>Use</b>	for magnetic sensors BMF 21

### Environmental conditions

<b>Ambient temperature</b>	-40...85 °C
----------------------------	-------------

### Material

<b>Material</b>	Stainless steel (1.4305)
-----------------	--------------------------

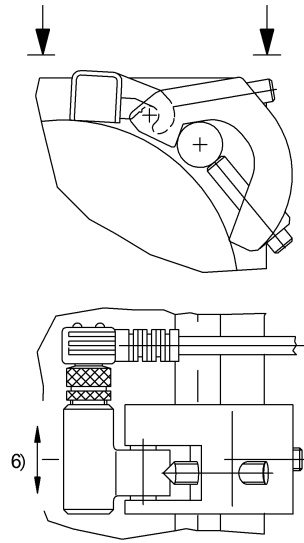
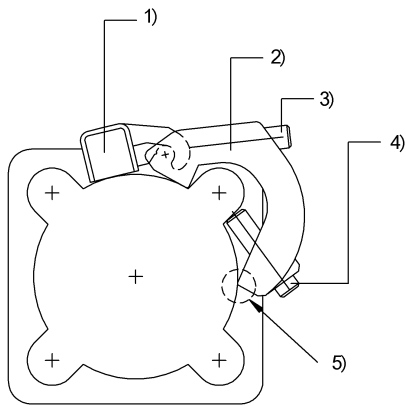
### Mechanical data

<b>Mounting, holder</b>	Threaded pin ISO 4026 M5x20-A2/M5x25-A2
<b>Sensor attachment</b>	Threaded pin ISO 4026 M5x20-A2

### Remarks

Magnetic field sensor can be replaced without removing the mounting bracket.  
 Long threaded pin: tie rod  $\varnothing > 12$  mm  
 Short threaded pin: tie rod  $\varnothing > 12$  mm / Profile width 10...17 mm.

## Help Views



- 1) Magnetic field sensor
- 2) Mounting bracket
- 3) Sensor attachment
- 4) Bracket mounting
- 5) Bracket abutting
- 6) Fine adjustment  $\pm 1$  mm